





Features

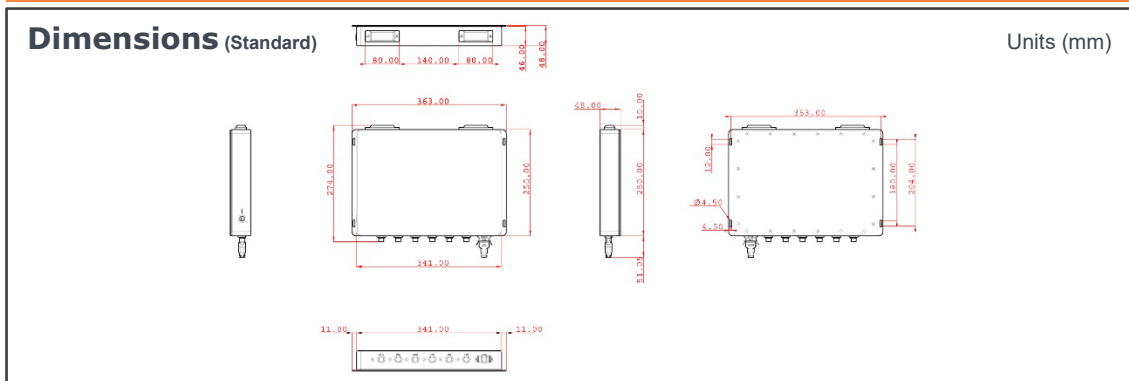
- Intel® Elkhart Lake J6412
- Low Power Fanless Waterproof Box PC
- IP66/69K Full Sealed with Anti-Corrosion Stainless Steel Enclosure
- Wide Range DC Input 12~28V
- Optional M12 Stainless/Metal Connectors
- Optional Cable Gland for External I.O.
- Optional WLAN w/ External Antenna
- CE, FCC, VCCI Class B Certified

Specification

Product		WTC-8J0	
Main System	CPU	Intel® Elkhart Lake SoC J6412, QC, 2.0~2.6 GHz, 10W	
	Graphic	Intel® Gen 11 Graphics	
	Memory	Dual channel support 3200MHz DDR4 SODIMM socket x2, up to 32GB	
	OS Support	Windows 10 (64 bit) / Windows 11 (64 bit)	
Storage & Expansion	Storage	1 X 2.5" SATA HDD (Anti-vibration), 1 x M.2 (Key M, 2242/2260/2280) for SSD	
	Expansion	1 X M.2 (Key E, 2230) w/PCIEx1 and shared USB2.0 for wireless 1 x M.2 (Key B, 3042/3052) with PCIe x1/USB 3.2/USB2.0 and SIM for 4G/5G	
Photo			
I/O Ports	Configuration	STD. (M12 Connector)	Optional Cable Gland (Max. 5 external I/O by proper grommet)
	USB	1 x M12 8pin for USB 2.0 1/2 1 x M12 8pin for USB 2.0 3/4	2 x USB 3.2 Gen I, 2 x USB2.0
	COM	2 x M12 8pin for RS-232/422/485	2 x RS232/RS422/RS485
	LAN	1 x M12 8pin for LAN (1Gb)	1 x RJ45 (1Gb), 1 x RJ45 (2.5Gb)
	Audio	N.A.	3.5mm phone jack connector * 2 (Line-out, and Mic-in)
	Video	1 x HDMI (IP65)	1 x HDMI 2.0b, 1 x VGA
	DC in (Power Cable)	1 x M12 5pin DC, DC 12~28V	1 X M12 5pin DC-In, DC 12~28V
	Control Keys	Rear bottom: Power on /off (Light Indicator)	
Power	Power adapter	AC 100 ~ 277V / 47 ~ 63 Hz / DC output 24V, 5A, 120W, IP68	
	Power consumption	35.3 Watt	
Environmental	Temperature	Operating Temperature 0~40°C (24V DC, IEC60068-2-56, air flow cooling, SSD) Storage Temperature -20~60°C	
	Humidity	Operating & Storage: 10% ~ 90%, non-condensing	
	Water/Dust resistance	IP66 / NEMA4X / IP69K whole set	
Mechanical Characteristics	Housing	Stainless steel (SUS304), chassis type	
	Dimensions (Net: mm)	363.0 X 274.0X 48.0 mm (M12 type) 342.0 X 310.7 X 81.0 mm (cable gland type)	
	Weights (Net: kg)	6Kg (M12 type) / 6.5Kg (cable gland type)	
	Mounting	By screw hole x 4	
Certification	CE (EMC) / FCC/VCCI Class B, Canada ICES-003		

WTC-8J0

Stainless Steel Box PC

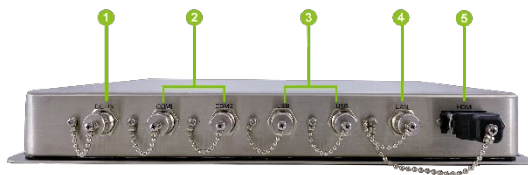


Major Options	
Options	<ol style="list-style-type: none"> 1. IP67 2. SUS316 Enclosure 3. Wireless or Wireless and BT kit (Easy Clean and Robust Antenna) 4. 2 x External LAN (Configuration: USBx2, LANx2, COMx1) 5. Windows 10 (64bit) or Windows 11 (64bit) 6. M12 (Female) to M12 (Male) DC Power Extension Cable (2 Meters Length) 7. M12 (Female) to Stripped and Tinned Wires DC Extension Cable (1.2 Meter Length)
Accessory	<ol style="list-style-type: none"> 1. Waterproof USB cable, cable length is 2 meters 2. Waterproof LAN cable, cable length is 2 meters 3. Waterproof COM cable, cable length is 2 meters 4. DC input cable
Customization	<ol style="list-style-type: none"> 1. Watch Dog Timer AP/API 2. Stainless Steel M12 Connector 3. 5G Module 4. M.2 SSD 5. Barcode Reader 6. COM + Power 5V or 12V 7. TPM2.0

Order Information

Item	Cooling	Description
WTC-8J0	Fanless	J6412 2.6Ghz / DDR4 4G RAM, 128 SDD, 4 USB, 2 COM, 1 LAN, 1 HDMI

I/O ports



- 1 DC-in
- 2 COM x 2
- 3 USB2.0 x 2
- 4 LAN x 1
- 5 HDMI x 1

