

**Features**

- 15 inch TFT display w/ optional touch screen
- High-bright display for sunlight readablity
- Seams continuously welded and ground smooth (Type 4/4X, IP66)
- Various keyboard/mouse options
- 100 mm VESA mount
- Class I, Div. 2 / ATEX Zone 2 approved
- Intel® Core™ i7-3517UE 1.7 GHz or Intel® Atom™ E3826 1.46 GHz

**Application**

The PC915 operator workstation is designed for continuous use in harsh environments such as manufacturing, oil & gas, and chemical applications.

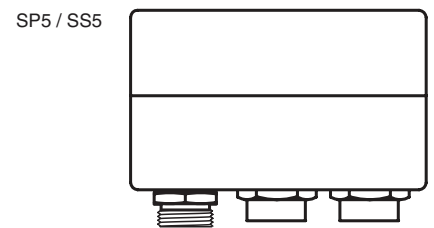
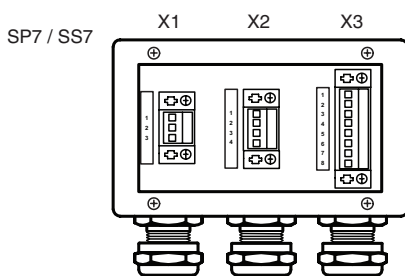
The PC915 series feaures an Intel Core i7-3517UE 1.7 GHz or Intel Atom E3826 1.46 GHz processor with available 120 GB SSD storage.

The compact housing design allows for easy mounting using the industry standard 100 mm VESA mount.

This 15" PC operator workstation features an optional touchscreen and keyboard with various mouse options.



**Connection**



X1 Terminals	AC	DC
1.1	L	+
1.2	N	-
1.3	GND	GND

X2 Terminals	Description
2.1	VCC RD
2.2	D+ GN
2.3	D- WH
2.4	GND BK

X3 Terminals	Description
3.1	BI_DA + WH/GN
3.2	BI_DA - GN
3.3	BI_DB + WH/OR
3.4	BI_DC + BU
3.5	BI_DC - WH/BU
3.6	BI_DB - OR
3.7	BI_DD + WH/BN
3.8	BI_DD - BN

Release date 2018-11-20 09:54 Date of issue 2018-11-20 547090\_eng.xml

Refer to "General Notes Relating to Pepperl+Fuchs Product Information".

Pepperl+Fuchs Group  
www.pepperl-fuchs.com

USA: +1 330 486 0002  
pa-info@us.pepperl-fuchs.com

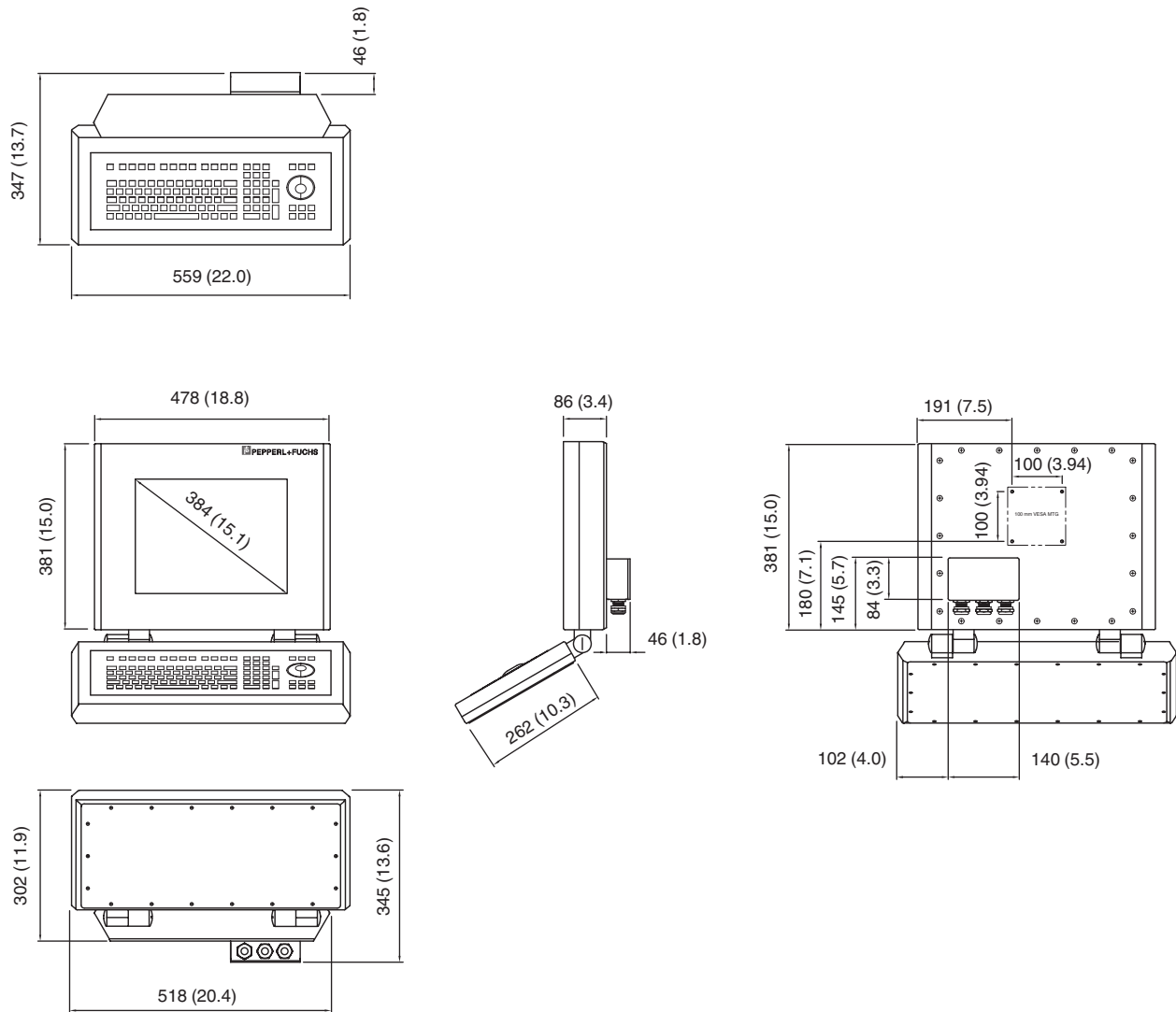
Germany: +49 621 776 2222  
pa-info@de.pepperl-fuchs.com

Singapore: +65 6779 9091  
pa-info@sg.pepperl-fuchs.com

<b>Hardware</b>	
Processor	Intel® Core™ i7-3517UE 1.7 GHz or Intel® Atom™ E3826 1.46 GHz
RAM	up to 8 GB
Mass storage	120 GB SSD
<b>Supply</b>	
Power consumption	2.5 A max, 100 ... 240 VAC, 50 ... 60 Hz, or 20-30 VDC
<b>Indicators/operating means</b>	
Display	
Screen diagonal	15 inch (381 mm)
Response time	Standard: 30 ms High-bright : 25 ms
Resolution	1024 x 768
Color depth	24 bit (16.7 M) color
Contrast	Standard: 800:1 High-bright: 700:1
Brightness	Standard: 350 cd/m <sup>2</sup> (nits) High-bright: 1200 cd/m <sup>2</sup> (nits)
Reading angle	160° in all directions
Life span	back lamp life: 50,000 hrs typical half life
Input devices	
Touchscreen	5-wire resistive 5-wire hardened resistive
Keyboard	touchpad , optical trackball (50 mm) , joystick connections : USB
<b>Interface</b>	
Interface type	1 x RJ-45 (GB ethernet) , 1 x USB 2.0 , 1 x power
<b>Directive conformity</b>	
Electromagnetic compatibility	
Directive 89/336/EEC	EN55022A, EN61000-6-2, EN61000-3-2, EN61000-3-3
<b>Software</b>	
Operating system	Windows 7® Ultimate (32-bit or 64-bit) or Windows® 10 IoT Enterprise 2016 LTSC (x 64)
<b>Ambient conditions</b>	
Operating temperature	-20 ... 50 °C (-4 ... 122 °F)
Storage temperature	-20 ... 60 °C (-4 ... 140 °F)
Relative humidity	0 ... 90% (noncondensing)
Shock resistance	30g, 11 ms, all axis
Vibration resistance	5 ... 100 Hz 1G, 12 m/s <sup>2</sup>
<b>Mechanical specifications</b>	
Degree of protection	Type 4X ( stainless steel ) Type 4 ( painted steel ) IP66
Material	Main enclosure: painted black steel or 316L stainless steel Main enclosure (rear cover): 6062 anodized aluminum, marine grade
Installation	100 mm ( 3.9 inch ) VESA mount
Mass	Main unit: 11.3 kg (25 lb) without keyboard; 16.8 kg (37 lb) with keyboard
Dimensions	Main enclosure: 478 x 381 x 86 mm (18.8 x 15.0 x 3.4 inch), junction box adds 43 mm (1.7 inch) to depth Keyboard enclosure: 559 x 254 x 51 mm (22.0 x 10.0 x 2.0 inch)
<b>Data for application in connection with hazardous areas</b>	
EU-Type Examination Certificate	
Marking	⊕ II 3G Ex ic nA IIC T4 Gc
<b>International approvals</b>	
ETL Intertek	Class I, Div. 2 Groups A, B, C, D; T4

Release date 2018-11-20 09:54 Date of issue 2018-11-20 547090\_eng.xml

**Dimensions**



**Accessories**

VESA CABLE FEEDTHROUGH

Release date 2018-11-20 09:54 Date of issue 2018-11-20 547090\_eng.xml

Refer to "General Notes Relating to Pepperl+Fuchs Product Information".

Pepperl+Fuchs Group  
www.pepperl-fuchs.com

USA: +1 330 486 0002  
pa-info@us.pepperl-fuchs.com

Germany: +49 621 776 2222  
pa-info@de.pepperl-fuchs.com

Singapore: +65 6779 9091  
pa-info@sg.pepperl-fuchs.com

Type code

P C 9 1 5 A - D 2 - PD 1 A C - S P 5 C K 0 L 0 - S 0 - N

P	C	9	1	5	A	-	D	2	-	PD	1	A	C	-	S	P	5	C	K	0	L	0	-	S	0	-	N
																								<b>Options</b>			
																								N No options			
																								<b>Special accessories</b>			
																								S0 No special accessories			
																								SR RS485			
																								LL Dual copper LAN (Gigabit Ethernet)			
																								<b>Keyboard layout</b>			
																								L0 No keyboard, no layout			
																								US Keyboard, layout U.S.			
																								<b>Keyboard/mouse version</b>			
																								K0 No keyboard, no mouse			
																								K4 Foil keyboard & capacitive touchpad mouse			
																								K6 Foil keyboard & joystick			
																								K8 Foil keyboard & 50 mm optical trackball mouse			
																								K9 Foil keyboard & resistive touchpad mouse			
																								<b>Keyboard housing</b>			
																								C Hinge mounted			
																								N No keyboard, no mouse			
																								<b>Housing version</b>			
																								SP5 IND housing, black painted steel, rear junction box with IP67 connectors - "GP" Protection only			
																								SS5 IND stainless steel (316L) housing, rear junction box with IP67 connectors - "GP" Protection only			
																								SP7 IND housing, black painted steel, rear junction box with cable glands			
																								SS7 IND stainless steel (316L) housing, rear junction box with cable glands			
																								<b>Power supply</b>			
																								AC 90 - 260 V AC, 50 - 60 Hz - "GP" & "D2" Protection only			
																								DC 24 V DC			
																								<b>Board specifications</b>			
																								PD1 i7-3517UE 1.7 GHz dual core, 4 GB RAM, 120 GB SSD, 1 x LAN, 1 x USB, Windows 7 Ultimate (32-bit)			
																								PE2 i7-3517UE 1.7 GHz dual core, 8 GB RAM, 120 GB SSD, 1 x LAN, 1 x USB, Windows 7 Ultimate (64-bit)			
																								PE5 i7-3517UE 1.7 GHz dual core, 8 GB RAM, 120 GB SSD, 1 x LAN, 1 x USB, Windows 10 IoT Enterprise 2016 LTSB (64-bit)			
																								PF1 Atom E3826 1.46 GHz, 4 GB RAM, 120 GB SSD, 1 x LAN, 1 x USB, Windows 7 Ultimate (32-bit)			
																								PG2 Atom E3826 1.46 GHz, 8 GB RAM, 120 GB SSD, 1 x LAN, 1 x USB, Windows 7 Ultimate (64-bit)			
																								PI2 Atom E3826 1.46 GHz, 8 GB RAM, 120 GB SSD, 1 x LAN, 1 x USB, Windows 10 IoT Enterprise 2016 LTSB (64-bit)			
																								<b>Protection</b>			
																								D2 Class I, Div. 2 Groups A, B, C, D			
																								V3 Class I, Div. 2 Groups A, B, C, D / ATEX Zone 2			
																								GP Industrial, Non-EX			
																								<b>Screen type</b>			
																								A Antiglare glass front, non-touch			
																								R Touch screen, resistive, 5-wire, hardened glass			
																								T Touch screen, resistive, 5-wire			
																								U High-bright display, with touch screen, 5-wire resistive			
																								F High-bright display, non-touch			
																								K High-bright display, with touch screen, 5-wire hardened resistive			
PC915	PC monitor, 15 in (381 mm), XGA (1024 x 768 pixels)																										

Release date 2018-11-20 09:54 Date of issue 2018-11-20 547090\_eng.xml

Refer to "General Notes Relating to Pepperl+Fuchs Product Information".

Pepperl+Fuchs Group  
www.pepperl-fuchs.com

USA: +1 330 486 0002  
pa-info@us.pepperl-fuchs.com

Germany: +49 621 776 2222  
pa-info@de.pepperl-fuchs.com

Singapore: +65 6779 9091  
pa-info@sg.pepperl-fuchs.com