

## Features

- Direct PC interface
- 12 inch flat panel monitor
- Panel mount Class I, Div 2; Class II, Div 2; ATEX/IECEX Zone 2 areas
- Touchscreen options
- Antiglare and stainless options

## Application

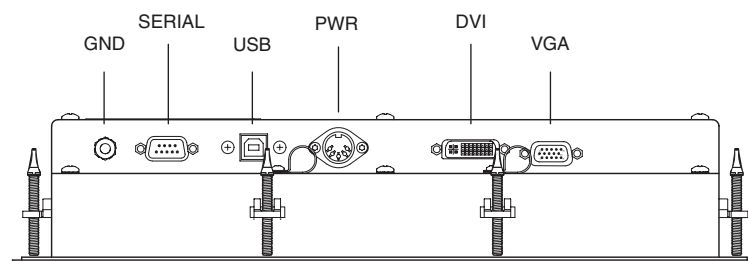
This product is a high-performance industrial flat panel monitor. It is designed as an operator interface device for continuous use in heavy-duty conditions.


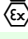
It incorporates an industrial grade, high performance active matrix LCD panel, an optional touchscreen, and will connect directly to any DVI, VGA, or NTSC video signal.

It is available in many configurations.



## Connection



<b>Supply</b>	
Connection	180° 5-pin DIN
Input voltage	+ 12 V DC @ 1.2 A continuous
<b>Indicators/operating means</b>	
<b>Display</b>	
Type	5-wire resistive
Screen diagonal	12.1 inch
Response time	15 ms
Resolution	800 x 600 (native mode) , 640 x 480 (text mode) , SOG Maximum resolution: 1024 x 768 @ 60 Hz
Color depth	18 bit (262 K) color supported in any video mode
Contrast	900:1
Brightness	Standard: 450 nit
Reading angle	80° in all directions
Life span	back lamp life: 70,000 hrs
MTBF	550000 h (see manual)
Input devices	15-pin VGA , 29-pin DVI, Optional interface to NTSC (camera, live video) via standard BNC connector
Touchscreen	5-wire resistive 5-wire hardened resistive
<b>Interface</b>	
Interface type	RS-232 serial or USB port to host computer via standard cable
<b>Directive conformity</b>	
<b>Electromagnetic compatibility</b>	
Directive 2004/108/EC	EN 61326-1:2006 EN 55011:2009+A1:2010
<b>Ambient conditions</b>	
Operating temperature	-20 ... 50 °C (-4 ... 122 °F) ambient, no active cooling devices required
Storage temperature	-20 ... 60 °C (-4 ... 140 °F)
Relative humidity	0 ... 90 %, non-condensing
Vibration resistance	5 ... 100 Hz , 1 g, 12 m/s <sup>2</sup> , all axes
Impact resistance	30 g, 6 ms, all axes
<b>Mechanical specifications</b>	
Degree of protection	NEMA Type 4/12 (front face and seals). Type 4x with stainless option IP66
Installation	panel mount
Mass	4.7 kg
Dimensions	Outer bezel: 292 mm x 353 mm (11.5 x 13.9 inch) Front bezel thickness: 2.5 mm (0.10)
Overall depth	74 mm (2.9 inch) w/recessed cable ways
Cut out dimensions	259 mm X 320 mm (10.2 inch x 12.6 inch)
<b>Data for application in connection with hazardous areas</b>	
EU-Type Examination Certificate	DEMKO 14 ATEX1379X
Marking	 II 3G Ex nA nC IIC T4 Gc  II 3G Ex nA IIC T4 Gc
Directive conformity	
Directive 94/9/EC	EN 60079-0:2012+A11:2013 EN 60079-15:2010
<b>International approvals</b>	
UL approval	Class I/Div 2 Group ABCD Class II/Div 2 Group FG
IECEx approval	IECEx UL 14.0090X Ex nA IIC Tu Gc Ex nA nC IIC T4 Gc

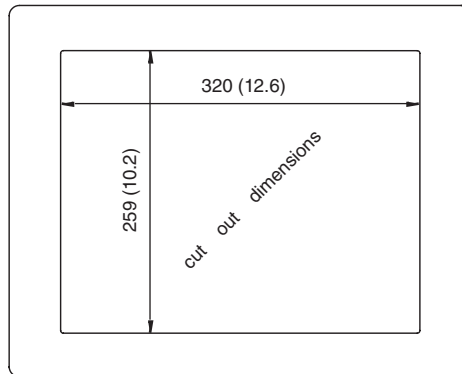
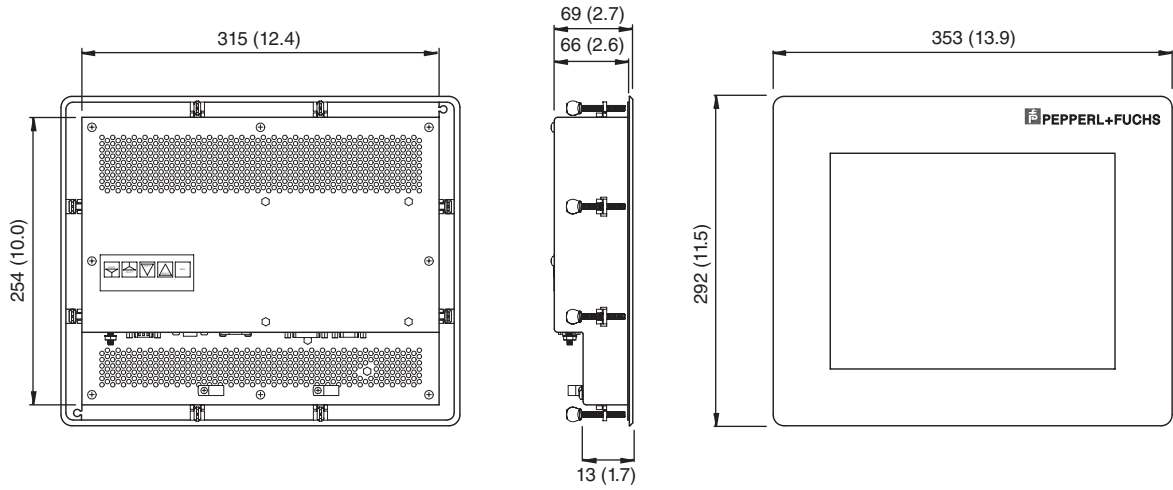
**Supplementary information**

Statement of Conformity, Declaration of Conformity and instructions have to be observed. For information see [www.pepperl-fuchs.com](http://www.pepperl-fuchs.com).

Release date 2018-12-21 15:19 Date of issue 2018-12-21 547004\_eng.xml

Refer to "General Notes Relating to Pepperl+Fuchs Product Information".

Dimensions



Accessories

- PS60-12-HZ  
Power supply
- PSCBL\*  
Power cable
- SCBL\*  
Serial touchscreen cable
- UCBL\*  
USB touchscreen cable
- VCBL\*  
Video cable
- TSP12-5  
Screen protector

Release date 2018-12-21 15:19 Date of issue 2018-12-21 547004\_eng.xml

Refer to "General Notes Relating to Pepperl+Fuchs Product Information".

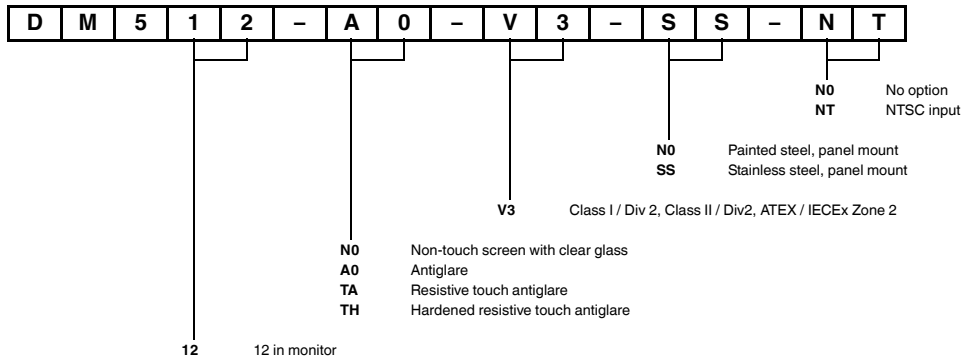
Pepperl+Fuchs Group  
www.pepperl-fuchs.com

USA: +1 330 486 0002  
pa-info@us.pepperl-fuchs.com

Germany: +49 621 776 2222  
pa-info@de.pepperl-fuchs.com

Singapore: +65 6779 9091  
pa-info@sg.pepperl-fuchs.com

Type code



Release date 2018-12-21 15:19 Date of issue 2018-12-21 547004\_eng.xml

Refer to "General Notes Relating to Pepperl+Fuchs Product Information".

Pepperl+Fuchs Group  
www.pepperl-fuchs.com

USA: +1 330 486 0002  
pa-info@us.pepperl-fuchs.com

Germany: +49 621 776 2222  
pa-info@de.pepperl-fuchs.com

Singapore: +65 6779 9091  
pa-info@sg.pepperl-fuchs.com