

## Features

- Direct PC interface
- 15 inch flat panel monitor
- Panel or rack mount in Class I, DIV 2 areas
- Touchscreen options
- Antiglare and stainless options

## Application

This product is a high-performance industrial flat panel monitor. It is designed as an operator interface device for continuous use in heavy-duty conditions.

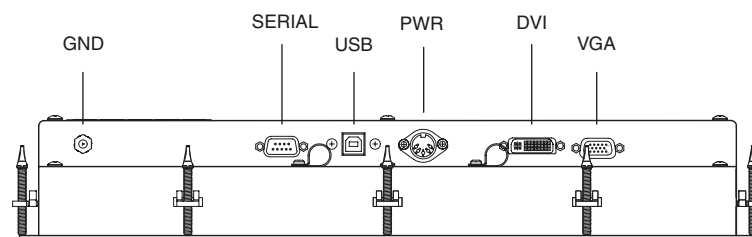
It incorporates an industrial grade, high performance active matrix LCD panel, an optional touchscreen, and will connect directly to any standard DVI, VGA, or NTSC video signal.

A transfective option is available for applications where monitors are in bright light or where poor lighting conditions are present.

It is available in many configurations.



## Connection



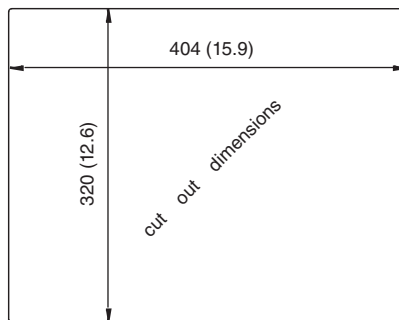
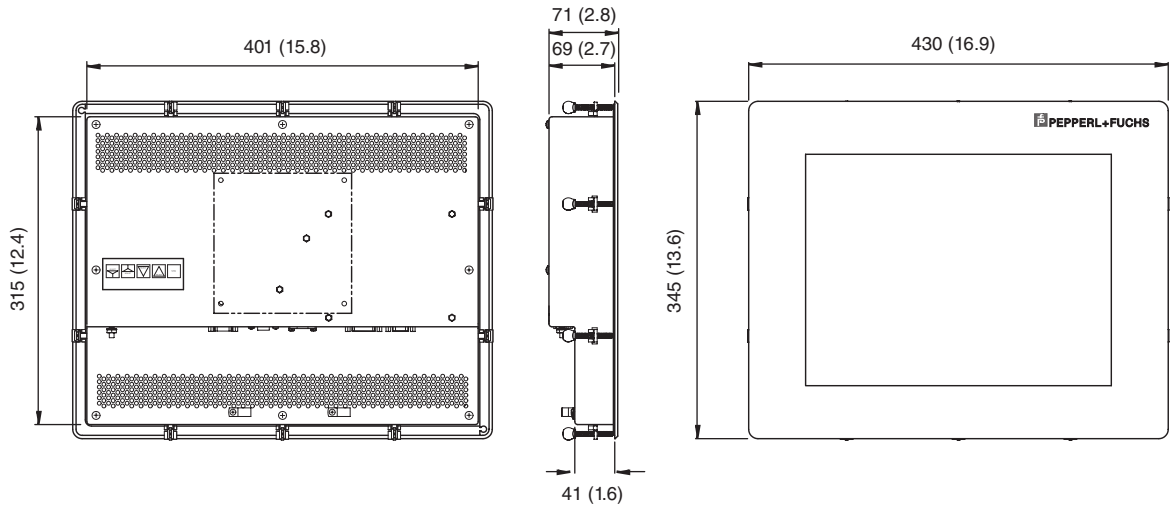
<b>Supply</b>	
Connection	180° 5-pin DIN
Input voltage	+ 12 V DC @ 2.5 A continuous
<b>Indicators/operating means</b>	
<b>Display</b>	
Screen diagonal	15 inch (38.1 cm)
Response time	Standard: 30 ms High-bright : 25 ms
Resolution	1024 x 768 (native mode), 800 x 600 , 640 x 480 text mode , SOG
Color depth	24 bit (16.7 M) color supported in any video mode
Contrast	Standard: 800:1 High-bright: 700:1
Brightness	Standard: 350 cd/m <sup>2</sup> (nits) High-bright: 1200 cd/m <sup>2</sup> (nits)
Reading angle	160° horizontal , 140° vertical
Life span	back lamp life: 50,000 hrs typical half life (replaceable)
MTBF	550000 h (see manual)
Input devices	15-pin VGA , 29-pin DVI, Optional interface to NTSC (camera, live video) via standard BNC connector
Touchscreen	5-wire resistive 5-wire hardened resistive 5-wire intrinsically safe resistive
<b>Interface</b>	
Interface type	RS-232 serial or USB port to host computer via standard cable
<b>Directive conformity</b>	
Electromagnetic compatibility	
Directive 89/336/EEC	EN55022A, EN61000-6-2, EN61000-3-2, EN61000-3-3
Low voltage	
Directive 73/23/EEC	EN60950
<b>Ambient conditions</b>	
Operating temperature	-20 ... 50 °C (-4 ... 122 °F) ambient, no active cooling devices required
Storage temperature	-20 ... 60 °C (-4 ... 140 °F)
Relative humidity	0 ... 90 %, non-condensing
Vibration resistance	5 ... 100 Hz , 1 g, 12 m/s <sup>2</sup> , all axes
Impact resistance	30 g, 6 ms, all axes
<b>Mechanical specifications</b>	
Degree of protection	NEMA Type 4/12 (front face and seals).
Installation	panel or rack mount
Mass	7.2 kg
Dimensions	Outer bezel: 345 mm x 430 mm (13.6 x 16.9 inch) Rack mount bezel: 355 mm x 483 mm (13.97 x 19.0 inch) Front bezel thickness: 2.5 mm (0.10 inch)
Overall depth	72 mm (2.85 inch) with recessed cable ways
Cut out dimensions	320 mm X 404 mm (12.6 inch x 15.9 inch)
Mounting	VESA 100 mm mounting pattern (peripheral mounting only)
<b>International approvals</b>	
UL approval	E190294

### Supplementary information

Statement of Conformity, Declaration of Conformity and instructions have to be observed. For information see [www.pepperl-fuchs.com](http://www.pepperl-fuchs.com).

Release date 2018-12-21 15:19 Date of issue 2018-12-21 546922\_eng.xml

Dimensions



Accessories

- PS75-HZ  
Power supply
- PSCBL\*  
Power cable
- SCBL\*  
Serial touchscreen cable
- UCBL\*  
USB touchscreen cable
- VCBL\*  
Video cable
- TSP15-5  
Screen protector

Release date 2018-12-21 15:19 Date of issue 2018-12-21 546922\_eng.xml

Refer to "General Notes Relating to Pepperl+Fuchs Product Information".

Pepperl+Fuchs Group  
www.pepperl-fuchs.com

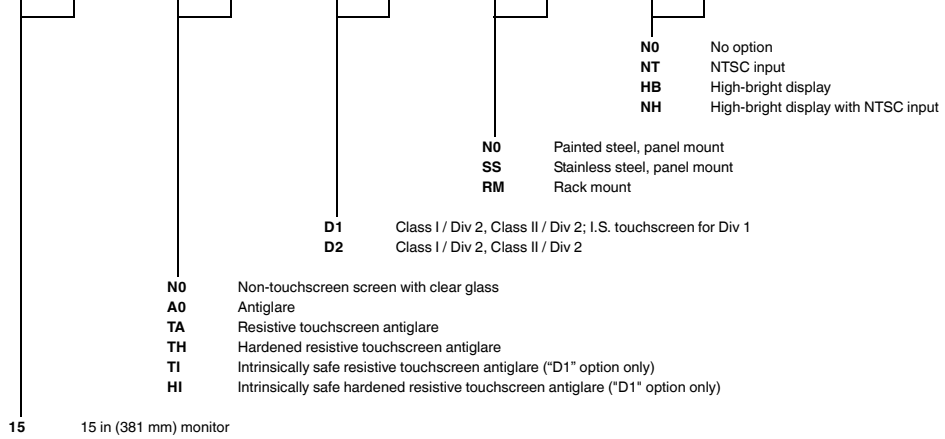
USA: +1 330 486 0002  
pa-info@us.pepperl-fuchs.com

Germany: +49 621 776 2222  
pa-info@de.pepperl-fuchs.com

Singapore: +65 6779 9091  
pa-info@sg.pepperl-fuchs.com

Type code

D	M	5	1	5	-	A	0	-	D	2	-	S	S	-	N	T
---	---	---	---	---	---	---	---	---	---	---	---	---	---	---	---	---



15 15 in (381 mm) monitor

- NO** Non-touchscreen screen with clear glass
- A0** Antiglare
- TA** Resistive touchscreen antiglare
- TH** Hardened resistive touchscreen antiglare
- TI** Intrinsically safe resistive touchscreen antiglare ("D1" option only)
- HI** Intrinsically safe hardened resistive touchscreen antiglare ("D1" option only)
- D1** Class I / Div 2, Class II / Div 2; I.S. touchscreen for Div 1
- D2** Class I / Div 2, Class II / Div 2
- NO** Painted steel, panel mount
- SS** Stainless steel, panel mount
- RM** Rack mount
- NO** No option
- NT** NTSC input
- HB** High-bright display
- NH** High-bright display with NTSC input

Release date 2018-12-21 15:19 Date of issue 2018-12-21 546922\_eng.xml

Refer to "General Notes Relating to Pepperl+Fuchs Product Information".

Pepperl+Fuchs Group  
www.pepperl-fuchs.com

USA: +1 330 486 0002  
pa-info@us.pepperl-fuchs.com

Germany: +49 621 776 2222  
pa-info@de.pepperl-fuchs.com

Singapore: +65 6779 9091  
pa-info@sg.pepperl-fuchs.com