



Features

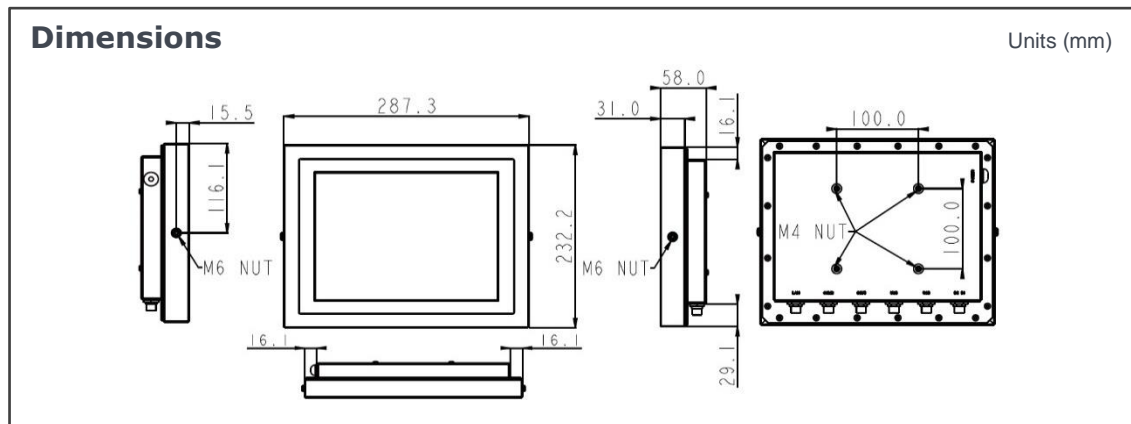
- 10" Intel® Celeron J1900 Fanless Stainless Panel PC
- IP66/69K Full Sealed with Anti-Corrosion Enclosure
- Optional IP67 M12 Stainless Connectors
- Special Inspection of 100% Waterproof Guarantee
- Rich IO for Wide Usages
- CE, FCC, VCCI Class B Certified

Specification

| Product | | WTP-8B66-10 |
|----------------------------|-------------------------------------|---|
| Main System | CPU | Intel® Celeron J1900 processor |
| | Graphic | Intel® Gen7 Graphics DX11 |
| | Memory | Single Channel DDR3L 1600 MHz SDRAM Max 8GB |
| | OS Support | Win 7, Win 7 Pro, Win8.1, Win 10 |
| Display | Size | 10" 4:3 |
| | Resolution (pixel) | 800 x 600 (SVGA) |
| | Number of Colors | 262K, LVDS 6 bits |
| | View Angle (H/V) | 80(H) / 60(V) |
| | Brightness(cd/m ² , nit) | 230 nits |
| | Contrast Ratio | 500 : 1 (Typ) |
| Touch Panel | Type | Full flat resistive touch panel |
| | Light Transmission | 80 ± 5% |
| | Hardness | 4H |
| | Lifetime | 35 million times |
| Storage & Expansion | Storage | 64GB SSD x 1, SATA DOM: 2 nd SATA connector pin7 with VCC |
| | Expansion | Mini PCIe: 1(Half size) +1(full Size) shared with mSATA |
| I/O Ports | USB | 1 x M12 8pin for USB 1/2, 1 x M12 8pin for USB 3/4 |
| | COM | 1 x M12 8pin for COM 1/RS-232/422/485 (Default RS-232) 1 x M12 8pin for COM 2/RS-232 |
| | LAN | 1 x M12 8pin for LAN |
| | DC in | 1 x M12 5pin DC power connector |
| | Control Keys | Rear bottom: Power on /off |
| Power | Power input | DC 9V~36V |
| | Power adapter | AC100~240V/ 47 ~ 63 Hz / DC output 12V, IP67, 60W |
| | Power consumption | 29.7W |
| Environmental | Temperature | Operating Temperature: 0~50°C (12V DC, air flow cooling) Storage Temperature: -20~60°C |
| | Humidity | Operating & Storage: 10 ~ 90%, non-condensing |
| | Water/Dust resistance | IP66 / NEMA4X / IP69K whole set |
| Mechanical Characteristics | Housing | Stainless steel (SUS304), chassis type |
| | Dimensions (Net: mm) | 288 x 236 x 58 |
| | Weights (Net: kg) | 6.9kg |
| | Mounting | VESA 100/100, Side mount (M6*2) |
| Certification | CE/ FCC/ VCCI Class B | |

WTP-8B66-10

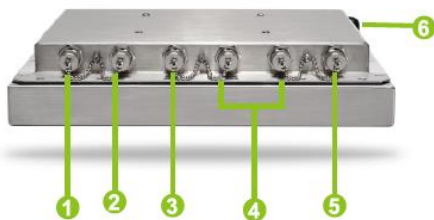
Stainless Steel Panel PC



| Major Options | |
|---------------|--|
| Add on Parts | 1. Wireless or Wireless and BT kit (2 ant), 2. Robust Antenna, 3. HDD (operation temp. 0~35° C) 4. Full flat PCT touch screen IP69K, 5. 2 x External LAN, 6. SUS316 enclosure, 7. IP67, |
| Add on Cable | 1. Waterproof COM cable x 1, 2. Waterproof USB cable x 1, 3. Waterproof LAN cable x1 |
| Optional Kits | 1. Wall mount/ Table mount bracket |
| Customized | 1. Sunlight readable optical bonding, 2. COM + power 5V / 12V, 3. TPM Module , 4. 1000 nits high brightness LCD, 5. LCD auto dimming, 6. Super dimming, 7. Barcode reader , 8. XGA LCD panel, 9. USB 3.0 |

Order Information

| Item | Cooling | Description |
|-------------|---------|---|
| WTP-8B66-10 | Fanless | 10" J1900 / DDR3L 2GB RAM/ 64G SSD/ full flat R-touch |



- 1 Giga LAN
- 2 USB 1/2
- 3 USB 3/4
- 4 COM x 2
- 5 DC-in
- 6 Power on/off

