

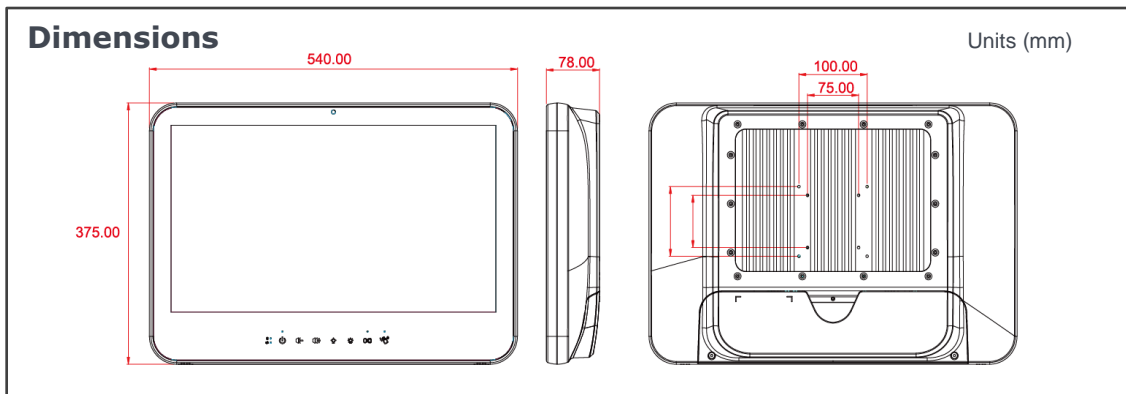


Features

- Intel® 6th & 7th Gen Core i Fanless Medical Panel PC
- 21.5" FHD 1920x1080 LCD panel
- Highest Level EMC 4.0/ Safety 3.1 Ready
- Support Intel® vPro by Optional i7/i5 CPU
- Anti-Bacteria(MRSA)Plastic Housing
- Friendly Design of Front Function Hot-Keys
- Optional PCI-E x 4 Expansion Slot
- Support RAID 0,1
- DICOM part 14 Compliance Module

Specification

Model	WMP 22C IPOA (STD)	WMP 22C IPOB (ISO)
CPU / Chipset	Intel® 6 th & 7 th generation Core i7 / i5 mobile CPU (15W TDP & BGA package) / SoC	
Graphic	Intel® integrated HD Graphics	
RAM	Two 2400 MHz DDR4 SODIMM socket support dual Channel, non-ECC, up to 32GB	
OS Support	Windows 7 embedded, Windows 7 pro, Windows 8 embedded, Windows 8 industrial, Windows 10	
Storage	2.5" SATA HDD drive bay x 1 ,mSATA via mini PCI-E x 1, Optional 2.5" SATA HDD up to 1TB	
Expansion	PCI-E (x4) x1, Mini PCIe x1, M.2 Type E x1 Optional Network Interface: 802.11 ac/a/b/g/n WLAN + Bluetooth module	
Display Size	21.5" wide TFT-Color LCD (16:9)	
Display	1920 x 1080 (Full HD), 16.7M colors (MVA, 8 bit), 170(H) / 160(V), 250 nits (Typ. Center point), CR:1000 : 1 (Typ)	
Touch Screen	Full flat projective capacitive touch panel / Light Transmission: 90% ± 3% / Hardness: 7H pencil, pressure 750g/45° / Life: 100M times	
USB	USB3.0 x 4, Optional Side USB3.0 X 2 (via Mini PCIe)	USB 3.0 x 2, USB 2.0 x 2, ISO USB2.0 X 1
COM	RS-232 x 1, RS232/RS422/RS485 X 1	RS-232 x 1, RS232/RS422/RS485 X 1, ISO RS-232 x 1, ISO RS232/RS422/RS485 X 1
LAN	RJ45 X 2	RJ45 X 2, ISO LAN x 1
Audio/ Video	3.5mm phone jack connector * 2 (Line-out, Mic-In) / DP x 2	
Reading light	Light bar x 2	
Control Hot Key (R to L)	Power Button// Audio adjustment // brightness // LCD on/off // Clean me	
Cooling	Fanless	
Power Input	DC-In x 1, DC 9~32V input	
Power Adapter	AC input 100~240V / 47 ~ 63 Hz / DC output 12V, 100W	
Temperature	Operating Temperature: 0~35°C (chamber) / Storage Temperature: -20~60°C	
Humidity	Operating & Storage:10 ~ 90%, non-condensing	
IP Rating / Housing	IP65 (Front Side) / Front: Full flat design/ Touch (standard)/ Glass(customized); Rear: Plastic White w/Anti-bacteria (MRSA), Housing	
Dimensions (Net)	540.0mm (H) x 375mm (V) x 78mm (T)	
Weights (Net)	7.0 kg (w/o power adapter/battery pack)	
Mounting	Optional Stand, VESA 75/ 100	
Certification	cULus/EN/UL/60601-1, 60601-1-2 4 th Edition, IEC62133, FCC/CE/VCCI Class B, Energy Star 6.1 Compliance	



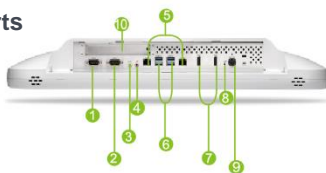
Major Options

Add On Parts	<ol style="list-style-type: none"> 1. 3.2M Webcam(USB) 2. TPM 2.0 module 3. Wireless or Wireless + BT kit 4. RFID (13.56MHz) 5. AG Film 6. PCI-E [x4] riser card 7. Equipotential Terminal Pin, 8. 2.5" SSD 9. Battery pack (100W max.) 10. mSATA module 11. Full HD Capture Card 12. DICOM Part 14 Compliance Module 13. 4KV Isolation Card x 1 (Isolation COM x 2, Isolation LAN x 1, Isolation USB x 1)
Power Cable	1.Power adapter w/ 2.4m or 3.6m DC cable, 2.Power plug holder, 3.Microphone on I/O cover
Optional kits	1.Anti-bacteria Stand, 2.VESA Wall Mount
Customization	1.Temper Glass; 2. Extra USB x 2 or COM x 2

Order Information

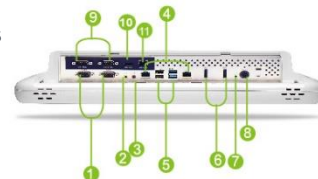
Item	Configuration
WMP-22C-IP0A-i5	Core i5-6200U 2.3GHz / 4G RAM / 500G HDD / Full flat P.cap touch / STD I.O.
WMP-22C-IP0A-i7	Core i7-6500U 2.5GHz / 4G RAM / 500G HDD / Full flat P.cap touch / STD I.O.
WMP-22C-IP0B-i5	Core i5-6200U 2.3GHz / 4G RAM / 500G HDD / Full flat P.cap touch / ISO I.O.
WMP-22C-IP0B-i7	Core i7-6500U 2.5GHz / 4G RAM / 500G HDD / Full flat P.cap touch / ISO I.O.

STD IO Parts



- ① RS232/422/485
- ② RS232
- ③ Line-out
- ④ Microphone-in
- ⑤ LAN x 2
- ⑥ USB3.0 x 4
- ⑦ DP x 2
- ⑧ Reset
- ⑨ DC-in
- ⑩ PCI-E expansion

Isolated IO Parts



- ① COM x 2
- ② Line-out
- ③ Microphone-in
- ④ LAN x 2
- ⑤ USB 3.0 x 2 / USB 2.0 x 2
- ⑥ DP x 2
- ⑦ Reset
- ⑧ DC-in
- ⑨ Isolation COM x 2
- ⑩ Isolation USB x 1
- ⑪ Isolation LAN x 1

