



Features

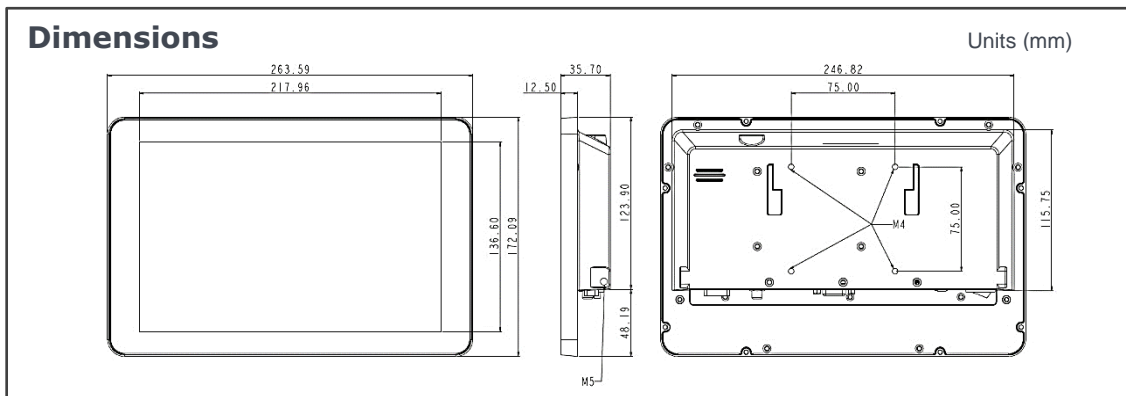
- Low Power Consumption N2930 Processor
- 10.1" 1280X800 LCD w/P-Cap Touch
- HMI Panel PC w/ Class B Certified
- Power Bottom for Easy Control
- Compact Size Ideally for Limited Space

Specification

Product		WMP-101
Main System	CPU	Intel® Celeron N2930 Processor
	Graphic	Intel® Integrated HD Graphics
	Memory	One 1333 MHz DDR3L SODIMM Socket, up to 8GB
	OS Support	Optional: Windows 7 embedded, Windows 7 pro (64bit, 32 bit) Windows 8 embedded, Windows 8 industrial (64bit), Windows 10 (64bit)
Display	Size	10.1", 16:10
	Resolution (pixel)	1280 x 800
	Number of Colors	16.7M Colors
	View Angle (H/V)	170(H) / 170(V)
	Brightness(cd/m ² , nit)	350 nits
	Contrast Ratio	800:1 (Typ)
Touch Panel	Type	Full flat projective capacitive touch panel
	Light Transmission	90 ± 3%
	Hardness	7H
	Lifetime	35M Times
Storage & Expansion	Storage	mSATA Support 32GB, 64GB, 128GB
	Expansion	Mini-PCIe 52 pin Card-Edge Type, Half Size
I/O Ports	USB	USB 3.0 x 2
	COM	RS-232/422/485 x 1
	LAN	2 x RJ-45
	Audio	Line Out, 3.5mm Phone Jack x 1, 1.5W Speaker x 1
	Video	HDMI 1.4a, A Type x 1 / VGA D-sub x 1
	Control Keys	Rear Bottom: Power on /off
Power	Power Input	9~36V DC-in x 1
	Power Adapter	External, 63 Watts, Universal 100 ~240V AC in, 12V DC Out
Environmental	Temperature	Operating Temperature: 0~40°C (IEC60068-2-56, air flow cooling) Storage Temperature: -20~60°C
	Humidity	Operating & Storage: 10 ~ 90%, non-condensing
	Water/Dust resistance	Front IP65
Mechanical Characteristics	Housing	Silver Bezel / Black Cover
	Dimensions (Net: mm)	263.28 (H) x 171 (V) x 357 (T)
	Weights (Net: kg)	1.25 kg
	Mounting	Chassis, VESA (75x75)
Certification	FCC/ VCCI Class B, CE EN60601-1-2	

WMP-101

Medical AIO Core™ Fanless



Major Options

Add On Parts	<ol style="list-style-type: none"> 802.11 ac/a/b/g/n WLAN + Bluetooth Module (w/ an antenna) TPM v2.0 by Module (not Coexist with PoE) Wall Mount Bracket
Customized	<ol style="list-style-type: none"> Webcam RFID White Rear Cover PoE solution (not co-exist with wireless LAN)

Order Information

Item	Touch	Description
WMP-101	Chassis P-Cap.Touch	10.1" N2930 , 2G RAM, 64G mSATA, Full flat P.Cap Touch

