

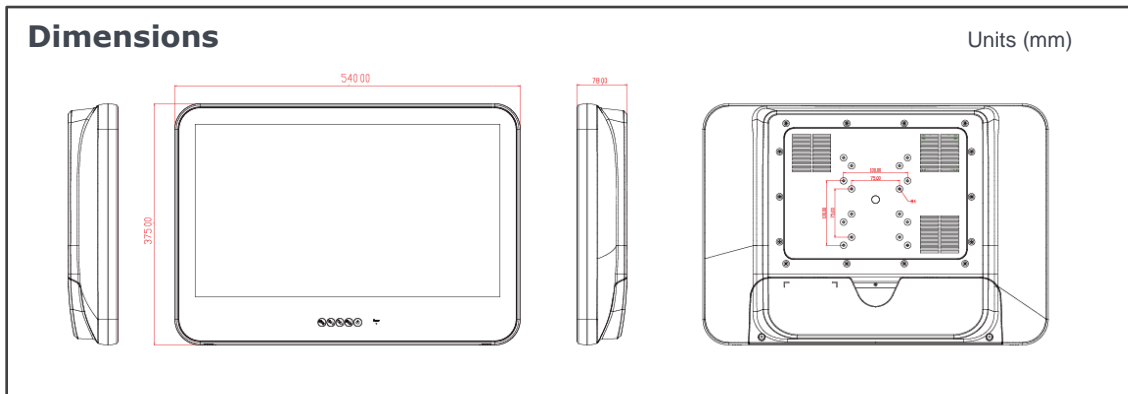


Features

- 21.5" True Color Diagnostic Panel
- Anti-bacteria (MRSA) Plastic Housing
- IP65 at Front Side, IPx1 for Whole System
- Built-in a Pair of 5W Stereo Speakers
- Support HDMI, DP, DVI-D, Audio-in
- Support Optional Desktop Stand, and VESA 100
- IEC60601-1-2 4th Edition Compliance

Specification

Model	WMD-223
Display Size	21.5" wide TFT-Color LCD (16:9)
Display	1920 x 1080 (Full HD), 16.7M colors (MVA, 8 bit), 178(H) / 178(V), 250 nits (Typ. Center point), CR:3000 : 1 (Typ.)
Touch Screen	Full flat projective capacitive touch panel / Light Transmission: 90% ± 3% / Hardness: 7H pencil, pressure 750g/45° / Life: 100M times
USB	USB2.0 x 1
Audio	3.5mm phone jack connector x 2 (Line-out, Mic-In)
Video	DVI-D x 1, DP x 1, HDMI x 1
Control Key (R to L)	Menu / Enter // Down / Mute // Up / Speaker adjust // Auto / OSD OFF // Power On / Off
Power Input	DC12V, 60W MAX
Power Adapter	AC input 100 ~ 264V / 47 ~ 63 Hz / DC output 12V
Temperature	Operating Temperature: 0~45°C (chamber) / Storage Temperature: -20~60°C
Humidity	Operating & Storage: 10 ~ 90%, non-condensing
IP Rating / Housing	IP65 at Front Side, IPx1 for Whole System / Plastic /Hospital white
Dimensions (Net)	540.0mm (H) x 375mm (V) x 78mm (T)
Weights (Net)	6.4 kg (w/o power adapter/battery pack)
Mounting	Optional Stand, VESA 100
Certification	CE: EN 60601-1-2:2015(V4.0), EN 60601-1:2006/A1:2013(V3.1) VCCI: 2016-11, Class B (PSU with PSE) FCC: Part 18 Class B ISO 14971 / Energy star 6.1 compliance



Major Options

Add On Parts	1. AG film (Can not co-exist with DICOM module)
Customization	1. DICOM compatible to DICOM Part 14

Order Information

Item	Configuration
WMD-223	21.5" Full flat projective capacitive touch medical grade monitor



- ① USB
- ② DVI-D
- ③ HDMI x 1
- ④ DP x 1
- ⑤ Line in x 1
- ⑥ DC in
- ⑦ Equipotential terminal pin

